

Solar Powered Lighted Windsock Assembly

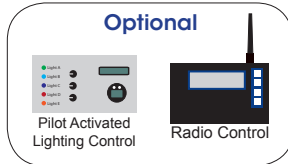
AV-WC-L

Features

- Integrated solar/battery system
- Independent from mains power
- LED technology
- 140watt solar module
- 2 x 55Ah SLA batteries
- Vandal resistant battery enclosure
- 4m (12ft) UV treated windsock



Secure battery housing at base of Solar Windsock Light Kit



Avlite Systems' AV-WC-L is a complete, reliable and low maintenance externally lit solar powered windsock assembly.

This complete windsock assembly incorporates four LED lights, a 140watt multicrystalline solar module, and 110Ah SLA battery.

Avlite Systems Solar Windsock Light Kit comes complete with 4m (12ft) windsock available in white or yellow for maximum visibility. Triple stitched seams makes the windsock incredibly durable and the material is UV treated to reduce the damaging effects of the sun.

Avlite's unique light mounting wing design directs the light towards the windsock and prevents stray light to ensure the pilot isn't distracted upon landing.

Each AV-09 light incorporates a 3watt ultra-high intensity LED as a light source offering up to 100,000 hours of service - no need to change any globes! With low power consumption and external sun-switch for automatic night activation, the AV-WC-L is a fantastic alternative to traditional hard-wired products.

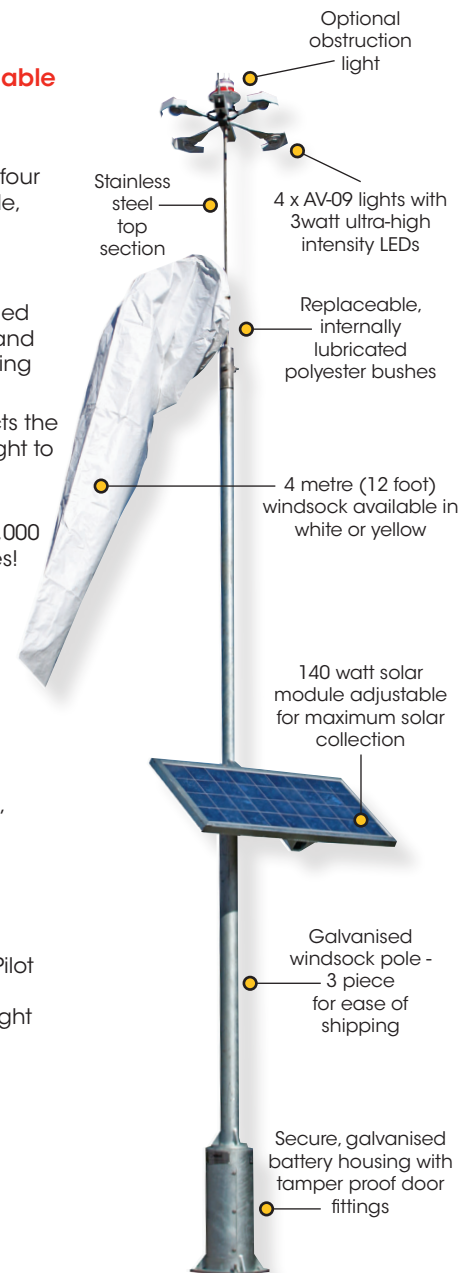
The AV-WC-L can be installed immediately and requires no costly underground wiring.

Optional Radio Control

The AV-WC-L is also available with Radio Control, whereby lights can be operated by a wireless handheld controller, which enables personnel to remotely activate the windsock light.

Optional Pilot Activated Lighting Control

The AV-WC-L can be integrated to a third party Pilot Activated Lighting Controller (AV-PALC), to allow approaching aircraft to activate the windsock light on unmanned aerodromes.

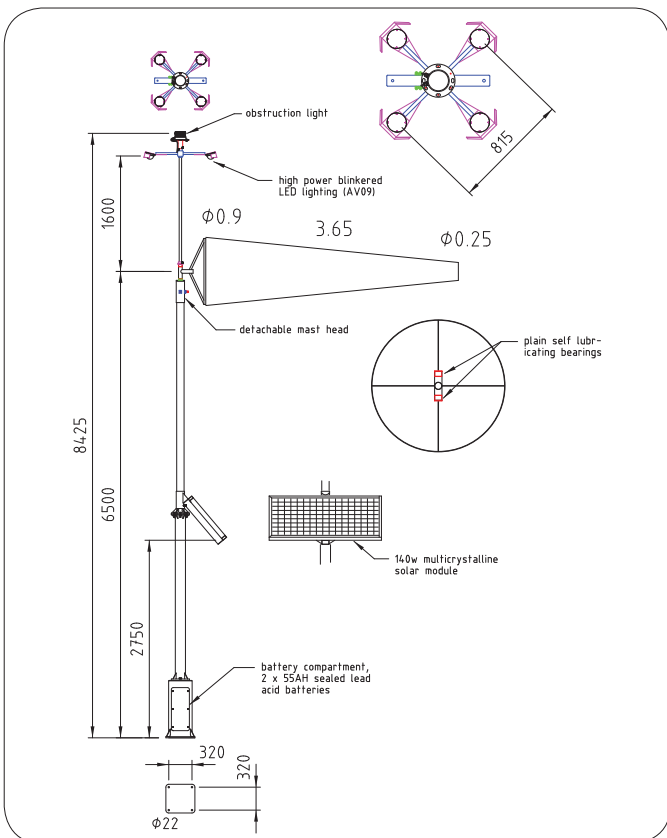


Solar Powered Lighted Windsock Assembly

AV-WC-L

SPECIFICATIONS* *	AV-WC-L
Light Characteristics	
Light Source	4 x domed luminaires each with 1x 3watt ultra-high intensity surface-mounted LED
Available colors	White
LED Life Expectancy (hours)	>100,000
Electrical Characteristics	
Circuit Protection	Polarity protected
Operating Voltage (V)	12
Temperature Range	-40 to 80°C
Solar Characteristics	
Solar Module Type	Multicrystalline
Output (watts)	140
Solar Module Efficiency (%)	15
Charging Regulation	Controller
Power Supply	
Battery Type	SLA (Sealed Lead Acid)
Battery Capacity (Ah)	2 x 55Ah
Nominal Voltage (V)	12
Autonomy (nights)	8
Physical Characteristics	
Mounting (post)	4 x 22mm holes
Height (mm/inches)	240 / 529
Mass (kg/lbs)	240 / 529
Product Life Expectancy	Up to 12 years
Certifications	
CE	EN61000-6-3:1997 . EN61000-6-1:1997
Quality Assurance	ISO9001:2008
Intellectual Property	
Trademarks	AVLITE® is a registered trademark of Avlite Systems
Warranty *	3 year warranty
Options Available	<ul style="list-style-type: none"> • Radio controlled • Avlite Pilot Activated Lighting Control • External ON/OFF Switch • Solar powered obstruction light

* Specifications subject to change or variation without notice
 * Subject to standard terms and conditions



Avlite Systems
 AUSTRALIA
 t: +61 (0)3 5977 6128

USA
 t: +1 (603) 737 1310

w: www.avlite.com
 e: info@avlite.com

