

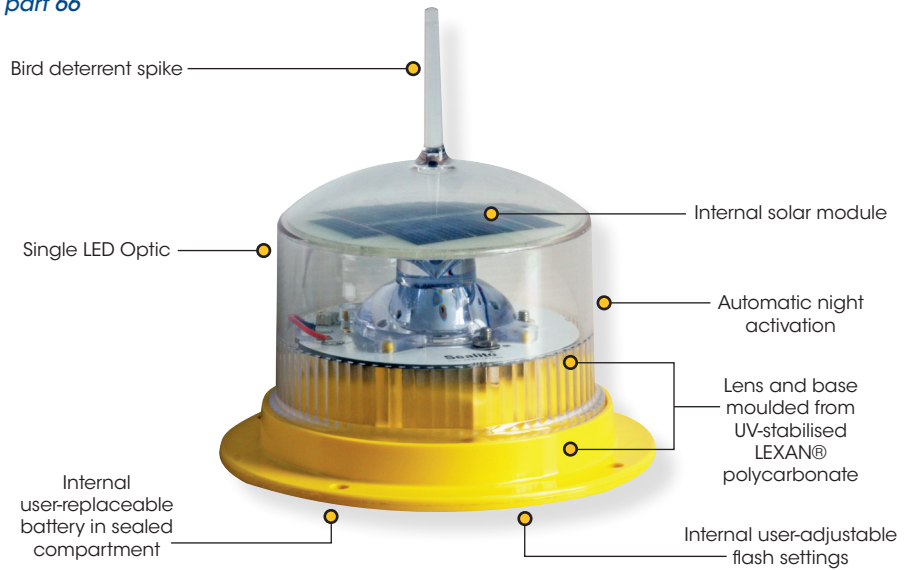
SL15

1-2nm+ Solar Marine Lantern

This equipment complies with requirements of the U.S. Coast Guard in 33 CFR part 66

**Next
Generation**

Single LED Optic ...
Brighter, more efficient



The Sealite Advantage

- User-adjustable flash characters
- User-replaceable battery in sealed battery compartment
- NiMH battery for long service life & wide temperature range
- Completely sealed & self-contained using advanced UV-sealing
- Installs in minutes & operates maintenance-free for up to five years
- IP68 waterproof

The Sealite SL15 1-2nm+ compact LED light is exceptional value and incorporates some of the most advanced technology available. In the tradition of Sealite lanterns, the SL15 is designed to be maintenance-free and have a service life of over 5 years.

The SL15 can be installed in minutes and requires no operator intervention. The SL15 has a rotary switch to allow users to change the flash character of the light without the need for special tools or programmers.

During daylight hours the solar module will charge the battery, and the lantern will automatically begin operation at dusk – once the ambient light threshold drops sufficiently.

The SL15 features Sealite's Single LED Optic which boasts exceptional power to light output efficiency. The tough outer polycarbonate lens incorporates an environment-friendly spike – deterring unwelcome bird life.

The internally housed battery is user-replaceable after years of reliable service.

The unit is sealed using advanced UV-sealing, enabling a rugged and completely waterproof seal capable of prolonged and deep immersion (IP68).

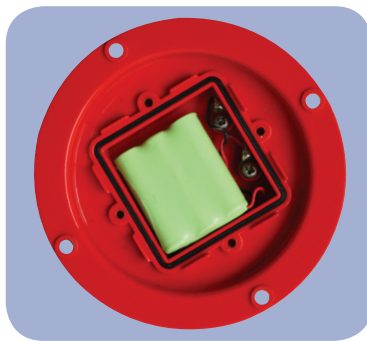
Optional ON/OFF Switch

The SL15 is also available with an optional ON/OFF switch for temporary installations such as worksites.

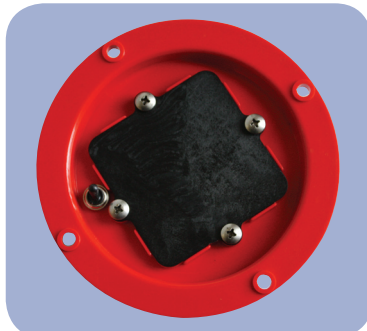


SL15

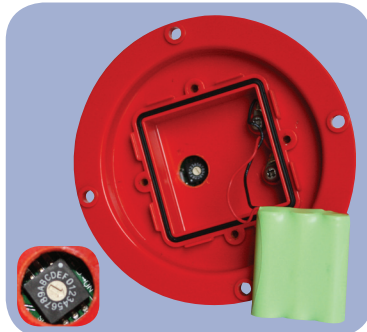
1-2nm+ Solar Marine Lantern



User-replaceable battery



SL15 with optional ON/OFF switch

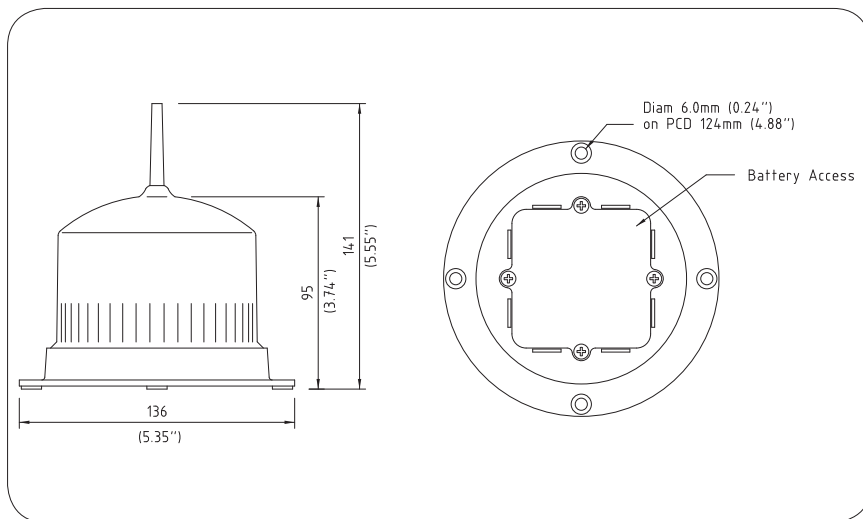


Flash characteristic is selected via internal rotary switch located in the battery compartment

User-Adjustable IALA Flash Characteristics

FLASH SETTING CODE	Flash Sequence (on, off, on...)
0	STEADY LIGHT (intensity reduced)
1	0.5, 1.0
2	0.5, 3.5
3	1.0, 3.0
4	0.5, 5.5
5	0.3, 0.7
6	0.3, 0.7, 0.3, 0.7, 0.3, 0.7, 0.3, 15.7
7	0.3, 1.7
8	0.3, 2.2
9	0.5, 2.0
A	0.3, 2.7
B	0.5, 2.5
C	0.7, 2.3
D	0.5, 4.5
E	1.0, 4.0
F	Custom Setting

Other flash patterns are available on request



SPECIFICATIONS •

Light Characteristics

Light Source

1 LED

Available Colours

Red, Green, White, Yellow, Blue

Maximum Available Intensity (cd)†

Red - 6.2 Green - 7.6 White - 6.8 Yellow - 5.9

Visible Range (nm)

1-2+

Horizontal Output (degrees)

360

Vertical Divergence (degrees)

7

Reflector Type

Single LED Optic

Available Flash Characteristics

16 user-adjustable IALA flash characteristics (other flash patterns available on request)

Intensity Adjustments

32 automatic step-down settings based on power demand of flash code selection
>100,000

LED Life Expectancy (hours)

Electrical Characteristics

Current Draw (mA)

Refer to Sealite Power Calculator

Circuit Protection

Integrated

Nominal Voltage (V)

3.6

Autonomy (days)

>50 (14 hour darkness, 12.5% duty cycle)

Temperature Range

-40 to 80°C

Solar Characteristics

Solar Module Type

Multicrystalline

Output (watts)

0.45

Solar Module Efficiency (%)

14

Charging Regulation

Microprocessor controlled

Power Supply

Battery Type

High grade NiMH - Environmentally friendly

Battery Capacity (Ah)

1.6

Nominal Voltage (V)

3.6

Battery Service Life

Average 5 years

Physical Characteristics

Body Material

LEXAN® Polycarbonate - UV-stabilised

Lens Material

LEXAN® Polycarbonate - UV-stabilised

Lens Diameter (mm/inches)

98 / 3 7/8

Lens Design

Single LED Optic

Mounting

4 x 6mm mounting holes

Height (mm/inches)

141 / 5 1/2

Width (mm/inches)

136 / 5 3/8

Mass (kg/lbs)

0.5 / 1 1/8

Product Life Expectancy

Up to 12 years

Certifications

CE

EN61000-6-3:1997. EN61000-6-1:1997

Quality Assurance

ISO9001:2008

Waterproof

IP68

Intellectual Property

Patents

US Pat. No. 6,667,582. AU Pat. No. 778,918

Trademarks

SEALITE® is a registered trademark of Sealite Pty Ltd

Warranty *

3 years

Options Available

- ON/OFF switch
- Custom flash patterns
- 50mm pole mount adapter plate



- Specifications subject to change or variation without notice
- * Subject to standard terms and conditions
- † Intensity setting subject to solar availability